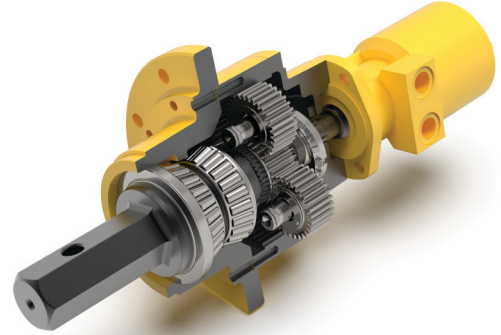


# LC-SERIES HYDRAULIC AUGER DRIVES

LC-Series Hydraulic Auger Drives are engineered from the ground-up to give you hard-hitting power in a lighter, sub-compact design. Inside an LC-Series drive, you'll find premium components that provide superior performance and durability, and each drive is backed with the best warranty in its class.



## CUTTING EDGE COMPONENTS



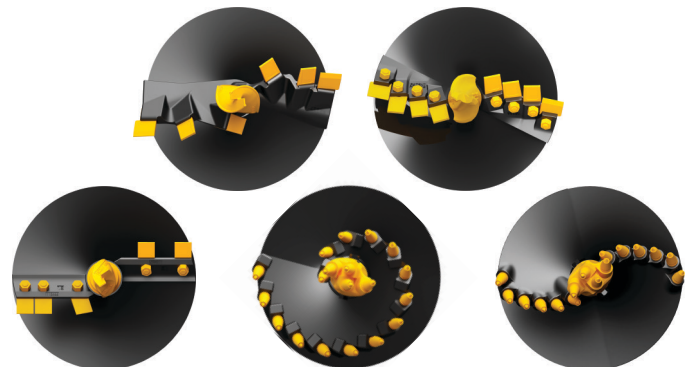
Parker hydraulic motors, Auburn Gear planetary drives, Mobilube HD Plus gear oil—when it comes to assembling the LC-Series powertrain, we only use the best products from the leading names in America.

## HARD-HITTING, SUB-COMPACT DESIGN



With an overall length at only 28 inches, LC-Series auger drives offer plenty of clearance to transform compact equipment like mini skid-steer loaders and compact excavators into powerful drilling machines.

## THE RIGHT TOOL FOR THE JOB



Belltec offers the most comprehensive lineup of performance augers on the market. Match an LC-Series auger drive with the right Belltec auger, and you'll maximize the benefits of using a top-rated auger drive.



Attachment options are available for all modern equipment.

# LC-SERIES HYDRAULIC AUGER DRIVES

LC-Series Hydraulic Auger Drives are available in four models for auxiliary hydraulic systems that operate between 6 and 35 GPM and up to 3500 PSI. Contact a Belltec representative or visit your Belltec dealer to discuss which LC-Series model will best suit your equipment.



## WHICH ONE WORKS FOR YOU? LC-150 LC-200 LC-300 LC-350

### SPECIFICATIONS

ATTRIBUTE	LC-150	LC-200	LC-300	LC-350
Min./Max. Flow	5-15 GPM	10-20 GPM	15-30 GPM	20-35 GPM
Max. Continuous PSI	3000 PSI	3000 PSI	3000 PSI	3000 PSI
Max. Intermittent PSI	3500 PSI	3500 PSI	3500 PSI	3500 PSI
Max. Dia. Dirt/Rock	18 in/18 in	30 in/24 in	36 in/36 in	36 in/36 in

### SPEED OUTPUT

FLOW	LC-150	LC-200	LC-300	LC-350
6 GPM	36 RPM	—	—	—
10 GPM	61 RPM	53 RPM	—	—
15 GPM	91 RPM	79 RPM	55 RPM	—
20 GPM	—	105 RPM	73 RPM	61 RPM
25 GPM	—	—	92 RPM	76 RPM
30 GPM	—	—	110 RPM	91 RPM
35 GPM	—	—	—	106 RPM

### TORQUE OUTPUT

PRESSURE	LC-150	LC-200	LC-300	LC-350
2000 PSI	1008 ft.lbs.	1165 ft.lbs.	1674 ft.lbs.	2016 ft.lbs.
2500 PSI	1260 ft.lbs.	1456 ft.lbs.	2092 ft.lbs.	2520 ft.lbs.
3000 PSI	1512 ft.lbs.	1747 ft.lbs.	2511 ft.lbs.	3025 ft.lbs.
3500 PSI	1764 ft.lbs.	2038 ft.lbs.	2929 ft.lbs.	3529 ft.lbs.

\*All values are theoretical. Actual performance may vary.



## THE BEST WARRANTY IN ITS CLASS

We offer the leading warranties in the industry, not just to give our customers peace of mind, but as a testament to our workmanship. We count on the hardworking people who use our products to grow our food, construct our buildings, maintain our infrastructure, and fill other essential roles. They deserve the best tools for the job backed by our commitment to exceptional service.

